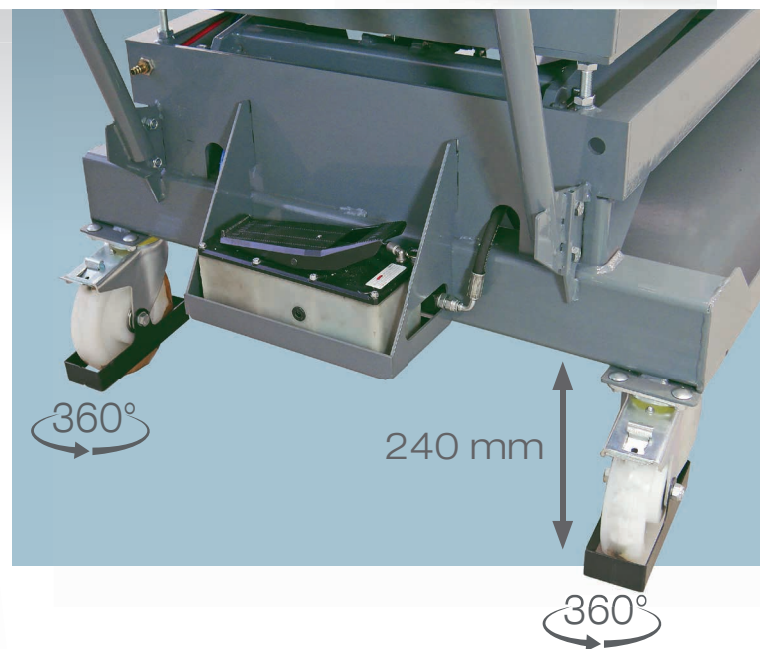
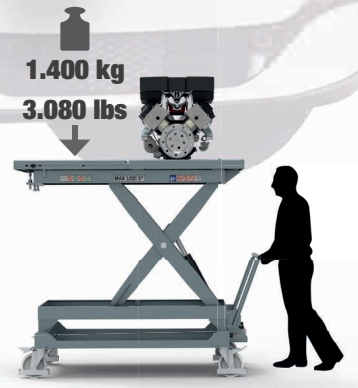


WS Lifter 1.4T pneum.-hydraulic

Hubtisch für E-Fahrzeug Batterien & Motoren

Lifting table for batteries & engines



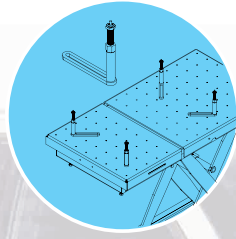
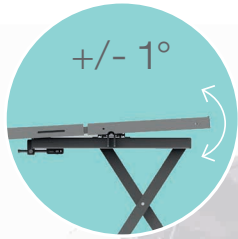
item N° 851025

Ref. **FNK4A** 

WS Lifter 1.4T

Art. N° 851025

Ref. FNK4A 



100x100 mm
Lochbild | hole diagram



Tech. Daten | Data



201 cm
6' 7"



99 cm
3' 3"



MIN
80 cm
2' 7"



MAX
180 cm
6'



1.400 kg
3.080 lbs



POWER SUPPLY
AIR



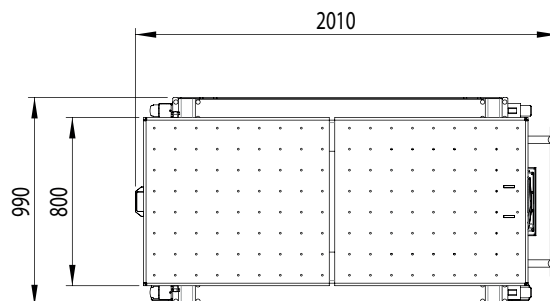
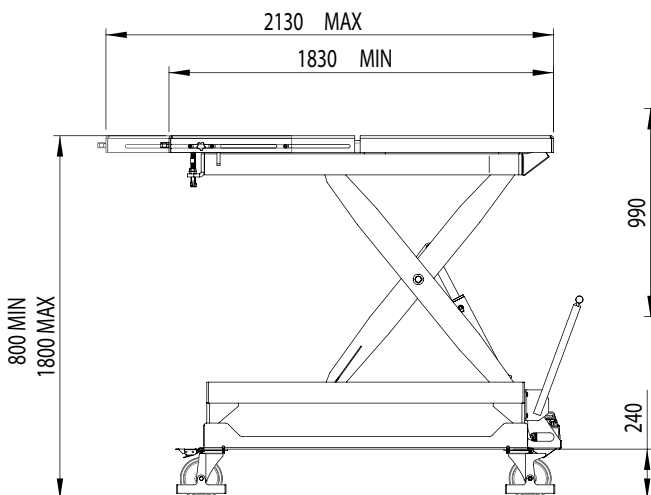
600 kg
1320 lbs



200x100x80cm
6.5'x3' 3"x32"



UNE-EN
1570-1:2012+A1



Wieländer+Schill
Professionelle Karosserie-Spezialwerkzeuge